

IN-IN10

Video and Power Balun



The IN-IN10 is a power, video, and RS485 passive transmitter with the capability of sending black and white or color video signals over unshielded twisted-pair CAT5E cable for distances up to 3000 feet! This balun accepts a video signal from a 75-ohm source and converts the signal for use with CAT5E wiring, eliminating costly cable installation charges!

The IN-IN10 converts power from the IN-IN20 to supply 12VDC power up to 1Amp loads. Power is indicated via a green LED that illuminates at 8.5 volts. This video balun can be utilized in various conditions due to its environmental enclosure.

- Transmits video signals over UTP Cat5E cable to a receiver up to 3000 feet
- Route power, video and data signals via RJ45 connection for organized pass through
- Frequency response from DC to 10MHz
- 12VDC output and 12 watts of continuous power
- When used with the IN-20/21, power is carried up to 1000ft

IN-IN10
(indoor)

IN-IN10a
(infrared)

IN-IN10b
(pan/tilt/zoom)

IN-IN10c
(zoom)

FirstWitness
video surveillance systems

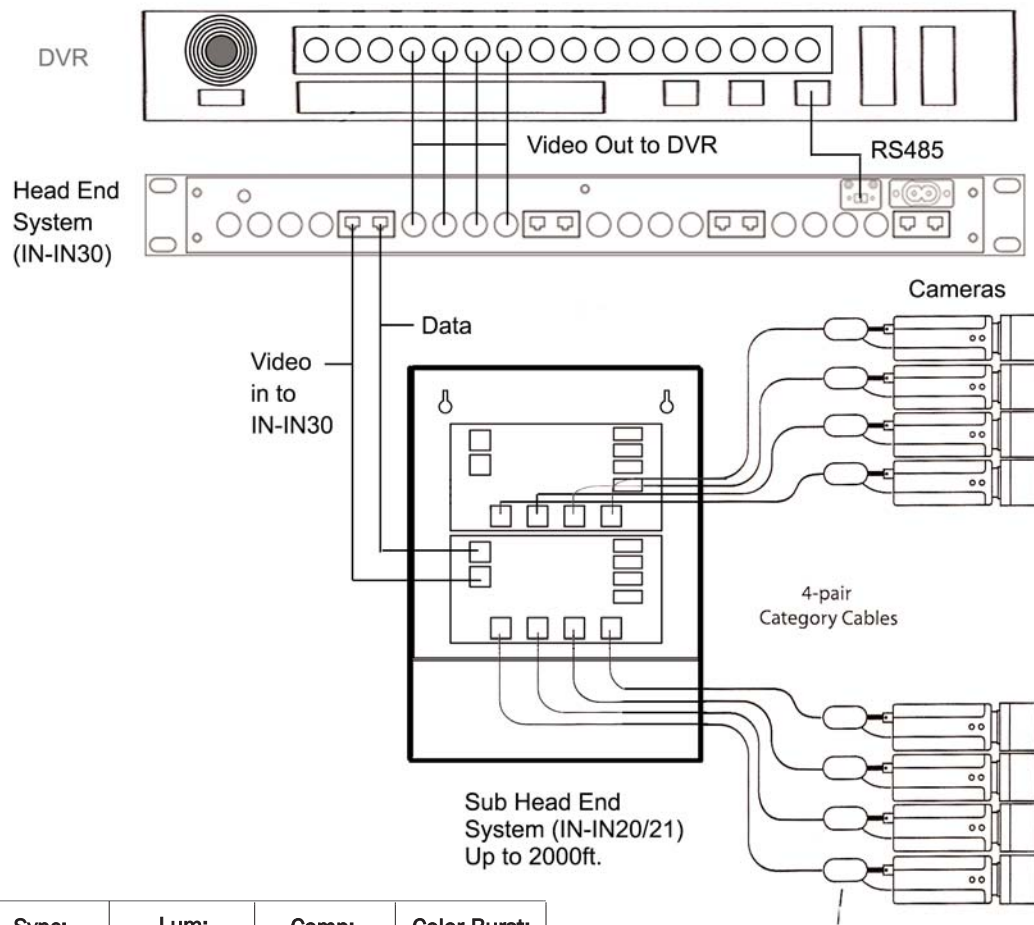
Old Town Hall Building
Route 11 South
P.O. Box 327
Mt Sidney, Virginia 24467

p. 800.880.1521
540.248.0355
f. 540.248.0920
sales@firstwitness.com

www.firstwitness.com

Specifications for the IN-IN10 Video and Power Balun

Power Connection	2.1mm Barrel Connector
Video Connection	75-ohm BNC
RS485 Connection	3.81 Terminal Connector (available upon request)
Power Output	12VDC, 12 Watts continuous power
Video Signal	75-ohm source
Operating Temperature	-35 to 80 C
Weight	65g
Dimensions	2.1" x 1.6" x 1.1"



Distance:	Sync:	Lum:	Comp:	Color Burst:
0 ft	38	80	118	30
300 ft	37	80	118	30
600 ft	38	80	118	30
900 ft	38	80	118	30
1200 ft	37	80	118	31
1500 ft	38	80	118	31
1800 ft	38	80	118	29
2100 ft	37	80	118	26
2400 ft	37	80	118	20
2700 ft	38	80	118	8

Balun with Power,
Video, and Data
(IN-IN10)
Up to 1000ft.